

MICRO SWITCH

FREEPORT ILLINOIS U S A
A DIVISION OF HONEYWELL

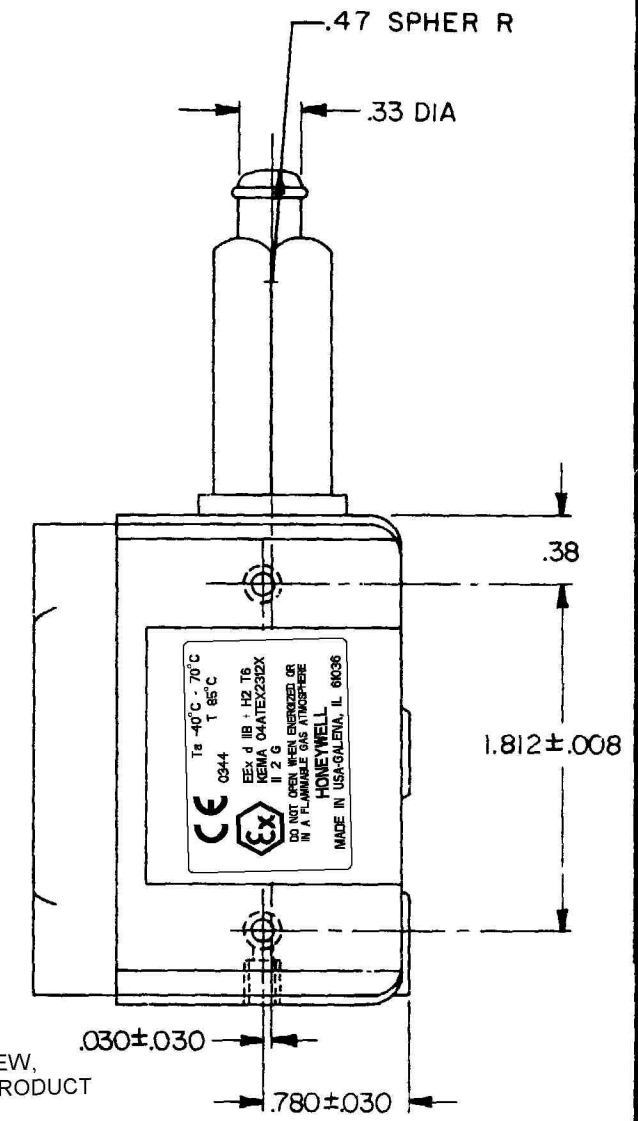
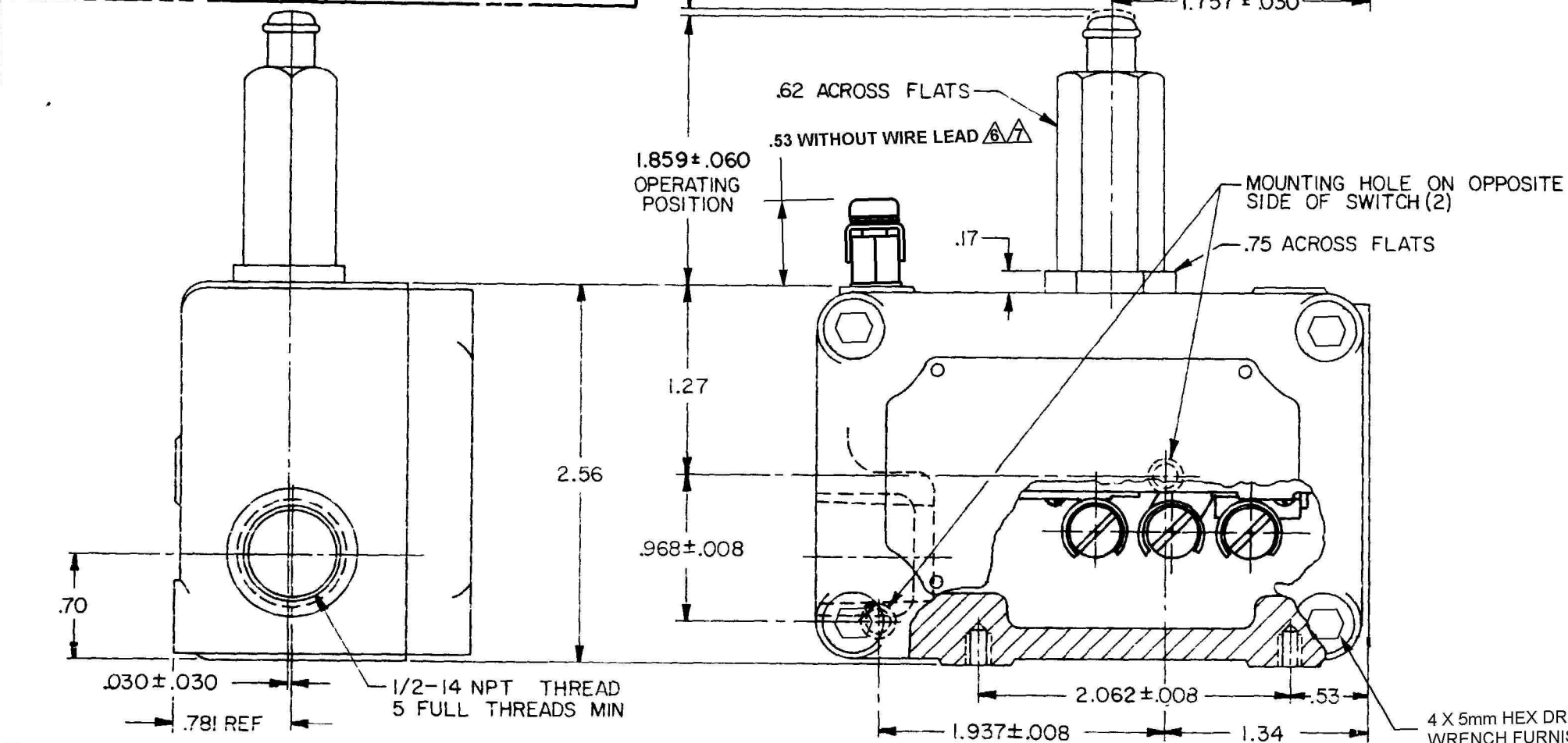
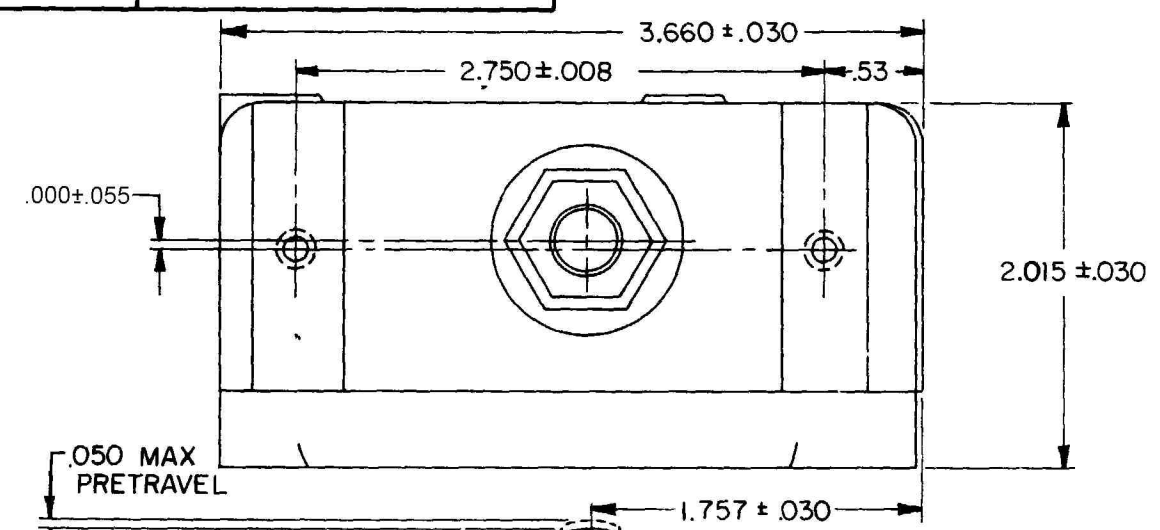
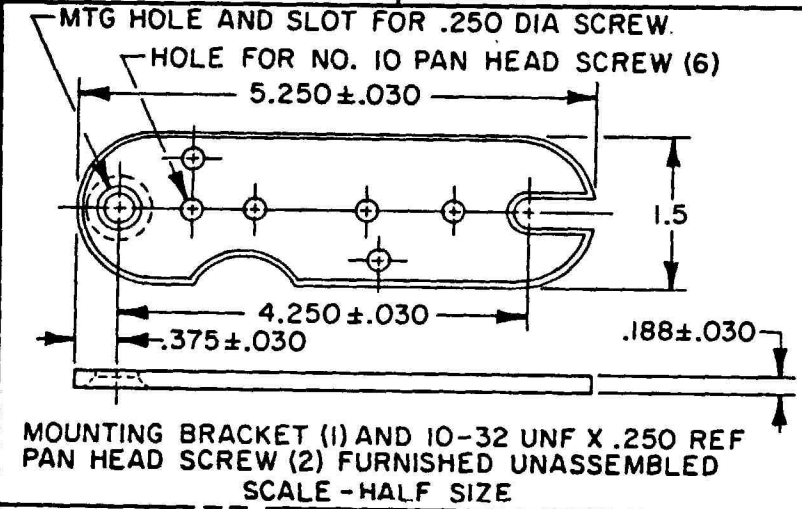
FED. MFG. CODE 91828

SWITCH-ENCLOSED

CATALOG LISTING

EXA-Q ★

EXA-Q
 M
 DRAWING NUMBER
 19
 ISSUE
 REVISIONS
 A CO 53454
 G J W
 3 JAN 83
 B CO
 58360
 9 NOV 85
 CSH
 CO61381
 DAW
 22 APR 87
 CO-
 70715-C
 SAV
 NOV 91
 F CO73019
 MAM
 9 SEP 92
 G 0012750
 NM
 09MAY05
 CHECK
 26 APR 05
 AK
 CHECK
 3 JAN 84
 G J W
 DRAWN
 FO-92851-B



THIS DRAWING COVERS A PROPRIETARY ITEM AND IS THE PROPERTY OF MICRO SWITCH A DIVISION OF HONEYWELL. THIS DRAWING IS NOT TO BE COPIED OR USED WITHOUT THE APPROVAL OF MICRO SWITCH

CHARACTERISTICS	
OPERATING FORCE	2 LB MAX
RELEASE FORCE	1/2 LB MIN
DIFFERENTIAL TRAVEL	.009 MAX
OVERTRAVEL	.125 MIN
SWITCH-BASIC REPLACEMENT	BA-2R-P4

ELECTRICAL DATA	
CONTACT ARRANGEMENT S P D T	
L23	
20A 125, 250, OR 480 VAC	
10A 125 VAC "L"	
1 HP 125 VAC, 2 HP 250 VAC	
1/2 A 125 VDC, 1/4 A 250 VDC	

SCALE FULL			
DO NOT SCALE PRINT			
TOLERANCES			
APPLY TO DESIGN UNITS CONVERSIONS ARE ONLY FOR REFERENCE UNLESS NOTED TOLERANCES ARE ±			
DIM	TOL	DIM	TOL
mm	mm/in	in	mm/in
NO PLACES	X	1/04	X X
ONE PLACE	X X	0 4/018	X X X
TWO PLACES	X X X	0 15/006	X X X X
THREE PLACES	X X X X	0 13/005	
DESIGN UNITS		SI METRIC	
THIRD ANGLE PROJECTION		US CUSTOMARY	
WEIGHT			

- NOTES**
- 1 - MOUNTING SCREW HOLE, 10-32 NF-2B THREADS X .219 REF DEEP. (8)
 - 2 - 8-32 UNC X .219 REF TERMINAL SCREWS AND CUPWASHERS
 - 3 - EXPLOSION PROOF - UNDERWRITERS' LAB. INC. LISTED FOR HAZARDOUS LOCATIONS NEMA 7, CLASS I, GROUPS C AND D, NEMA 9, CLASS II, GROUPS E, F AND G.
 - 4 - EUROPEAN HAZARDOUS LOCATIONS DESIGNATION: EEx dIIB + H2 T6 CATAGORY II 2 G
 - 5 - SEAL RATING : NEMA 1
- ▲ - EXTERNAL GROUND SCREW MAY BE ASSEMBLED TO ANY UNUSED MOUNTING SCREW HOLE
- ▲ - ASSEMBLE PROVIDED SPLIT LOCKWASHER BETWEEN GROUND LUG AND HOUSING